

# LT 15

**Spare parts**  
**Ersatzteile**  
**Pièces détachées**  
**Reserve onderdelen**  
**Repuestos**  
**Reservdelar**



# REPAIR PARTS

TRACTOR - MODEL NO. LT15 (J8F1542E), PRODUCT NO. 954 13 00-36

## ELECTRICAL

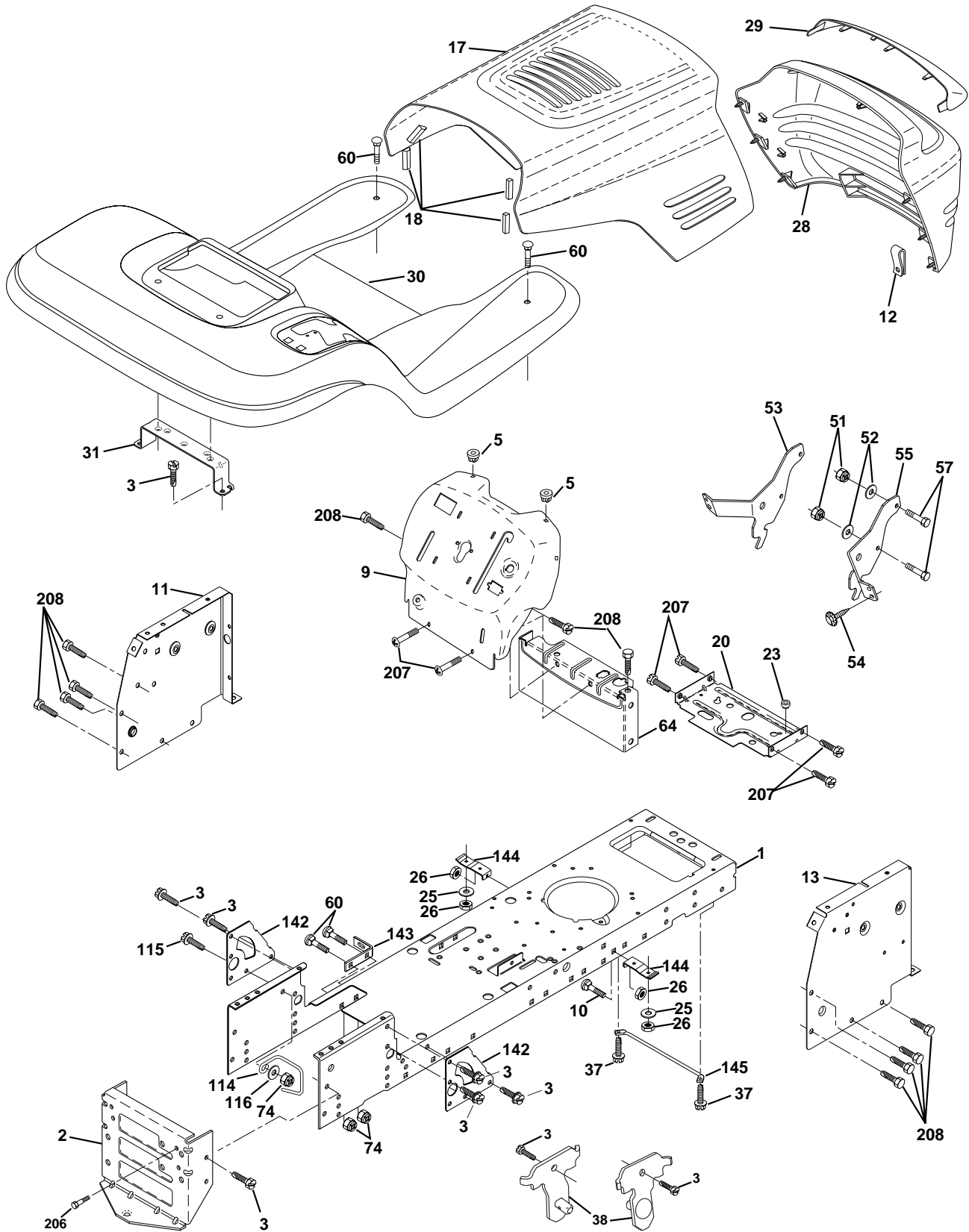
| KEY NO. | PART NO.         | DESCRIPTION                          |
|---------|------------------|--------------------------------------|
| 1       | 532144925        | Battery 12 Volt 25 AMP               |
| 2       | 874760412        | Bolt Hex Hd 1/4-20unc X 3/4          |
| 8       | 532156417        | Case Battery Mech Hinge              |
| 16      | 532153664        | Switch Interlock Push-In             |
| 20      | 873350400        | Nut Jam Hex 1/4-20 Unc               |
| 21      | 532166182        | Harness Asm Light W/4152j            |
| 22      | 532004152        | Bulb Light #1 156                    |
| 24      | 532124780        | Cable Battery 6 Ga 11" red           |
| 25      | 532146147        | Cable Battery 6 Ga 44" red w/16 wire |
| 26      | 532166180        | Fuse 15 AMP                          |
| 27      | 873510400        | Nut Keps Hex 1/4-20 Unc              |
| 28      | 532124773        | Cable Ground 6 Ga 12" black          |
| 29      | 532121305        | Switch Plunger Nc Gray               |
| 30      | <b>532163968</b> | Switch Ign 4 pos w/lights            |
| 33      | <b>532140401</b> | Key Ign Molded Generic               |
| 40      | <b>532170217</b> | Harness Ign.                         |
| 41      | 871110408        | Bolt Blk Fin Hex 1/4 - 20 x 1/2      |
| 42      | 532131563        | Cover Terminal Red                   |
| 43      | 532145673        | Solenoid                             |
| 48      | <b>532140844</b> | Adapter Ammeter Rectangular          |
| 52      | 532141940        | Protection Wire Loop                 |
| 70      | <b>532170243</b> | Harness, Eng.                        |

**NOTE:** All component dimensions given in U.S. inches.  
1 inch = 25.4 mm.

# REPAIR PARTS

TRACTOR - MODEL NO. LT15 (J8F1542E), PRODUCT NO. 954 13 00-36

## CHASSIS AND ENCLOSURES



# REPAIR PARTS

## TRACTOR - MODEL NO. LT15 (J8F1542E), PRODUCT NO. 954 13 00-36 CHASSIS AND ENCLOSURES

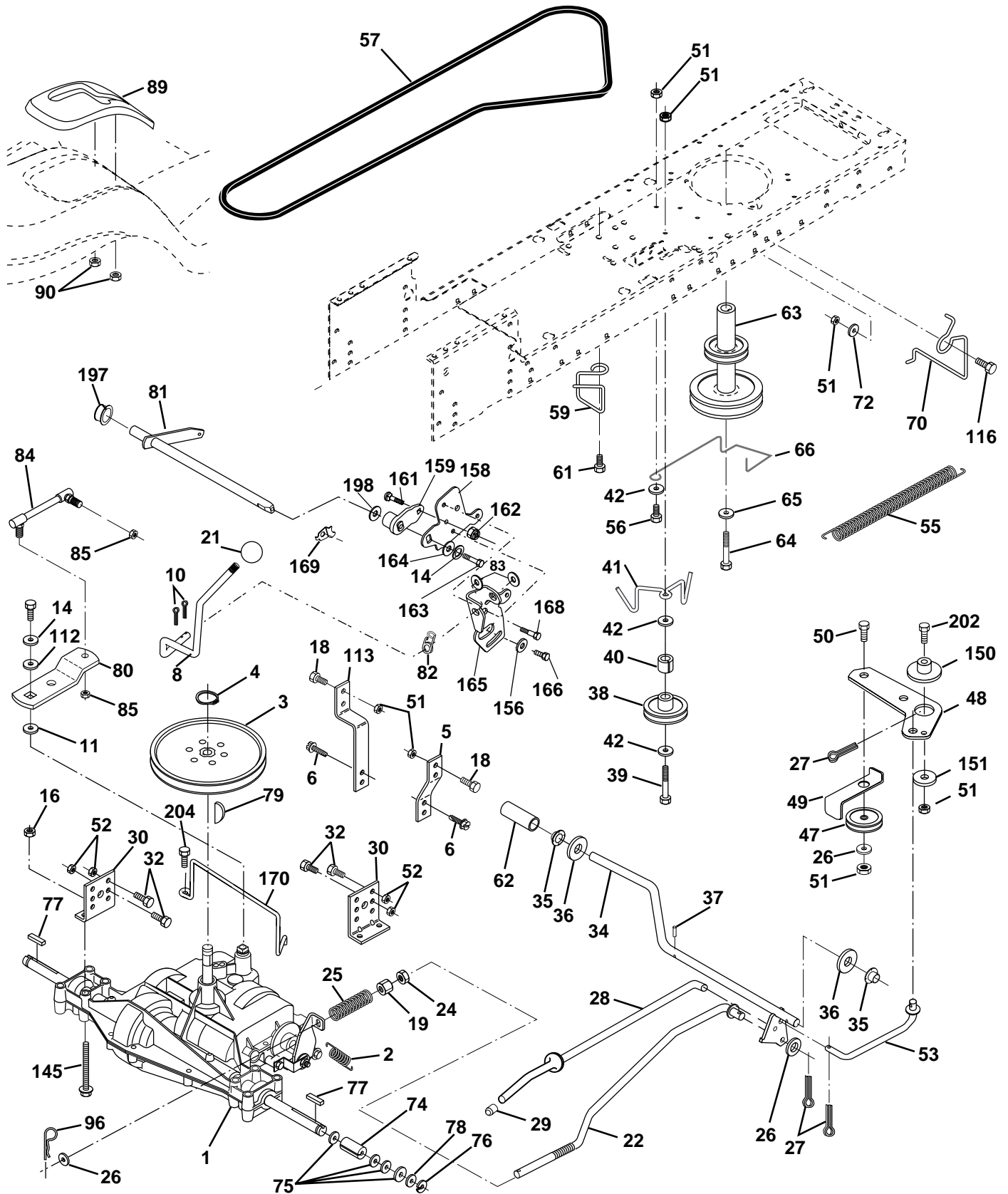
| KEY NO. | PART NO.         | DESCRIPTION                    |
|---------|------------------|--------------------------------|
| 1       | <b>532169830</b> | Chassis Stamping               |
| 2       | <b>532169061</b> | Drawbar                        |
| 3       | <b>817060612</b> | Screw 3/8-16x3/4               |
| 5       | 532155272        | Bumper Hood/Dash               |
| 9       | <b>532172151</b> | Dash P/L                       |
| 10      | 872140608        | Bolt Carriage 3/8-16 x 1       |
| 11      | 532155927        | Panel Dash Lh                  |
| 12      | 532145660        | Clip Tinnerman Grille P/L      |
| 13      | <b>532169118</b> | Panel Dash Rh                  |
| 14      | 817490608        | Screw Thdrol 3/8-16x1/2 Ty-tt  |
| 17      | 532150760        | Hood LT/PL with Louvers        |
| 18      | 532126938        | Bumper Hood                    |
| 20      | 532156437        | Plate Mtg Battery Fuel Tank Fr |
| 23      | 532124028        | Bushing                        |
| 25      | 819131312        | Washer 13/32 X 13/16 X 12 Ga   |
| 26      | 873800600        | Nut Lock Hex W/Ins 3/8-16 Unc  |
| 28      | <b>532172170</b> | Grille with Clips              |
| 29      | 532166603        | Lens LT/PL Grille Shark Plain  |
| 30      | <b>532172157</b> | Fender Footrest                |
| 31      | 532139976        | Bracket Support Fender         |
| 37      | 817490508        | Screw Thdrol 6/16-18 x 1/2 TYT |
| 38      | <b>532169834</b> | Bracket Asm Pivot Mower Rear   |
| 51      | 873800400        | Nut Lock Hex W/Ins 1/4-20      |
| 52      | 819091416        | Washer 9/32 x 7/8 x 16 Ga.     |
| 53      | 532145201        | Bracket Pnt. Pickoff LH        |
| 54      | 532161464        | Screw Hex Wshd 8-18 x 7/8      |
| 55      | 532145202        | Bracket Grille Pickoff RH      |
| 57      | 874780412        | Bolt Hex 1/4-20 x 3/4          |
| 60      | 872140606        | Bolt Rdhd Sqnk 3/8-16unc x 3/4 |
| 64      | 532154798        | Dash Lower STLT                |
| 74      | 873680600        | Nut Crownlock 3/8-16 UNC       |
| 114     | <b>532158112</b> | Keeper Belt Rear LH Stl P930   |
| 115     | <b>817060620</b> | Screw 3/8-16 x 1-1/4           |
| 116     | <b>819131614</b> | Washer 13/32 x 1 x 14 Ga.      |
| 142     | <b>532165867</b> | Plate Reinforcement STLT       |
| 143     | 532154966        | Bracket Swaybar Chassis        |
| 144     | 532154207        | Bracket Pnt Footrest STLT      |
| 145     | 532156524        | Rod Pivot Chassis/Hood         |
| 206     | <b>532170165</b> | Bolt Shoulder 5/16-18 TT       |
| 207     | <b>817670508</b> | Screw Thdrol 5/16-18 x 1/2     |
| 208     | <b>817670608</b> | Screw Thdrol 3/18-16 x 1/2     |
| --      | 532005479        | Plug Button                    |

**NOTE:** All component dimensions given in U.S. inches  
1 inch = 25.4 mm

# REPAIR PARTS

TRACTOR - MODEL NO. LT15 (J8F1542E), PRODUCT NO. 954 13 00-36

## DRIVE



# REPAIR PARTS

TRACTOR - MODEL NO. LT15 (J8F1542E), PRODUCT NO. 954 13 00-36

## DRIVE

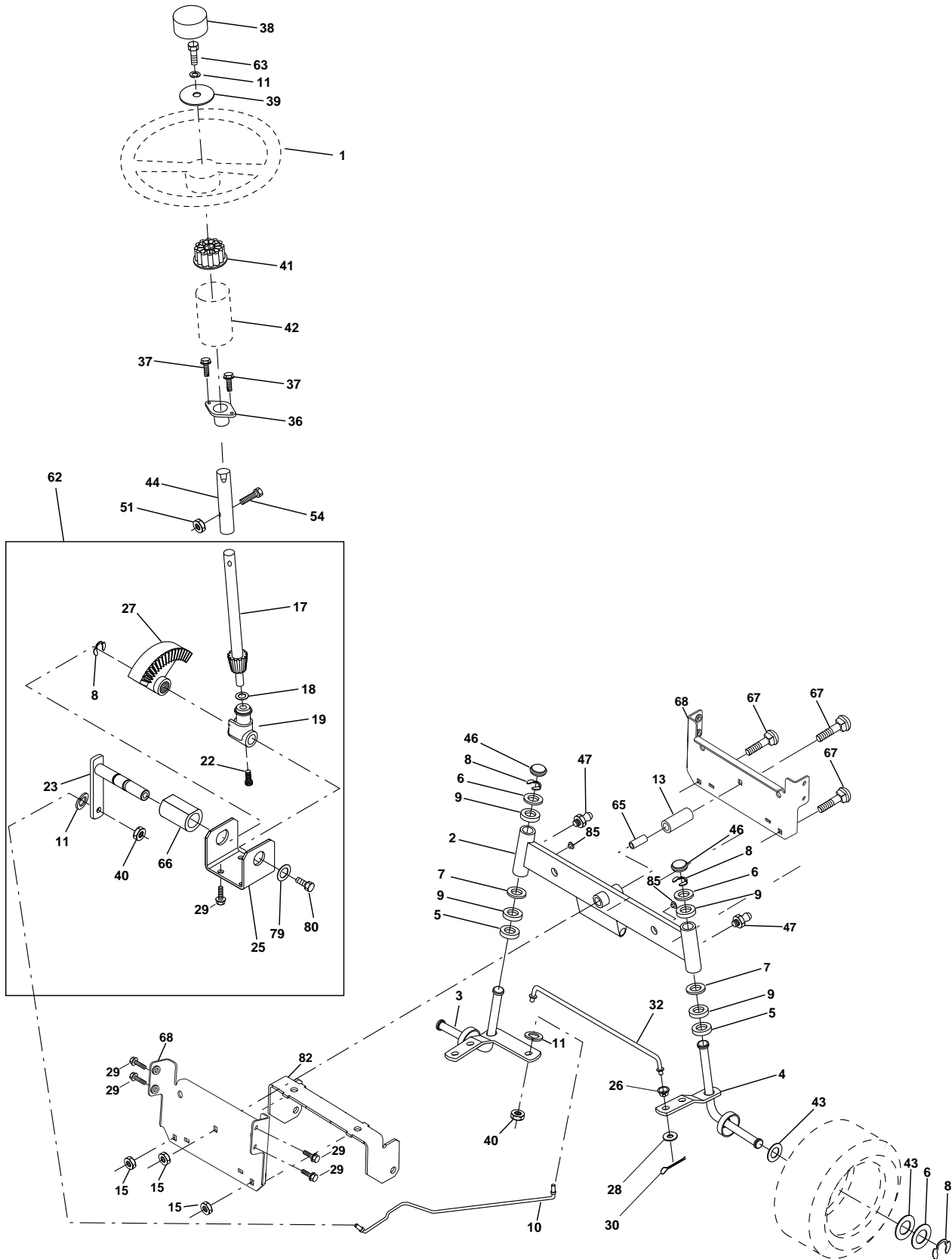
| KEY PART NO. NO. | DESCRIPTION      | KEY PART NO. NO. | DESCRIPTION                                       |
|------------------|------------------|------------------|---|
| 1                | -----            | 62               | <b>532124872</b> Cover Pedal                      |
| 2                | 532146682        | 63               | 532140186 Engine Pulley LT/YT                     |
| 3                | 532123666        | 64               | 871170764 Bolt Hex 7/16-20 x 4                    |
| 4                | 812000028        | 65               | 810040700 Washer Lock Hvy Hlcl Spr 7/16           |
| 5                | 532121520        | 66               | 532154778 Keeper Belt Engine F-Proof              |
| 6                | <b>817060512</b> | 70               | 532134683 Guide Belt Mower Drive RH               |
| 8                | 532165866        | 72               | 819132012 Washer 13/32 X 1-1/4 X 12 Ga            |
| 10               | 876020416        | 74               | 532137057 Spacer Axle                             |
| 11               | 532105701        | 75               | 532121749 Washer 25/32 X 1 1/4 X 16 Ga            |
| 13               | 874550412        | 76               | 812000001 E-ring#5133-75                          |
| 14               | 810040400        | 77               | 532123583 Key Square 2 0 X 1845/ 1865             |
| 16               | <b>873800500</b> | 78               | 532121748 Washer 25/32 X 1-5/8 X 16 Ga            |
| 18               | 874780616        | 79               | 532125096 Key Woodruff                            |
| 19               | 873800600        | 80               | 532145090 Arm Shift Transaxle                     |
| 21               | <b>532130564</b> | 81               | 532165592 Shaft Asm Cross                         |
| 22               | 532130804        | 82               | 532165711 Spring Torsion T/a                      |
| 24               | 873350600        | 83               | 819171216 Washer 17/32 X 3/4 X 16 Ga              |
| 25               | 532106888        | 84               | 532166231 Link Transaxle                          |
| 26               | 819131316        | 85               | 532150360 Nut Nylock 1/4 - 28                     |
| 27               | 876020412        | 89               | <b>532166556</b> Console Shift 6sp                |
| 28               | 532145204        | 90               | 532124346 Nut Self-thd Wsh-hd 1/4 Zinc            |
| 29               | 532071673        | 96               | 532124788 Retainer Spring 1" Zinc/Cad             |
| 30               | <b>532169592</b> | 112              | 819091210 Washer 9/32 x 3/4 x 10 Ga.              |
| 32               | 874760512        | 113              | 532127285 Strap Torque Lt                         |
| 34               | 532155071        | 116              | 872110610 Bolt Rd Sq Neck 3/8-16 x 1-1/4          |
| 35               | 532120183        | 145              | 874490540 Bolt Hex 5/16-18FLGHD                   |
| 36               | 819211616        | 150              | 532165850 Bushing Bellcrank GRD Drive             |
| 37               | 532124963        | 151              | 819133210 Washer 13/32 x 2 x 10 Ga.               |
| 38               | 532131494        | 156              | 532166002 Washer Srrted 5/16 ID x 1 .125          |
| 39               | <b>872110622</b> | 158              | 532165589 Bracket Shift Mount                     |
| 40               | 532124965        | 159              | 532165494 Hub Tapered Flange Shift LT             |
| 41               | 532165838        | 161              | 872140406 Bolt Rdhd Sqnk 1/4-20 x 3/4 Gr 5        |
| 42               | 819131312        | 162              | 873680400 Nut Crownlock 1/4-20 Unc                |
| 47               | 532127783        | 163              | 874780416 Bolt Hex Fin 1/4-20 Unc x 1 Gr. 5       |
| 48               | 532154407        | 164              | 819091010 Washer 5/8 x .281 x 10 Ga.              |
| 49               | 532123205        | 165              | 532165623 Bracket Pivot Lever                     |
| 50               | 874760624        | 166              | 532166880 Screw 5/16-18 x 5/8                     |
| 51               | 873680600        | 168              | 532165492 Bolt Shoulder 5/16-18 x .561            |
| 52               | 873680500        | 169              | 532165580 Plate Fastening LT                      |
| 53               | 532105710        | 170              | <b>532165849</b> Keeper Belt Transaxle Gear       |
| 55               | 532105709        | 197              | <b>532169613</b> Nyliner Snap-In 5/8" ID          |
| 56               | 874760620        | 198              | <b>532169593</b> Washer Nyl 7/8 ID x .105"        |
| 57               | 531013136        | 202              | <b>872110612</b> Bolt Carr Sh 3/8-16 x 1-1/2 Gr 5 |
| 59               | <b>532169691</b> | 204              | <b>817060516</b> Screw 5/16-18 x 1                |
| 61               | <b>817060612</b> |                  |   |

**NOTE:** All component dimensions given in U.S. inches  
1 inch = 25.4 mm

# REPAIR PARTS

TRACTOR - MODEL NO. LT15 (J8F1542E), PRODUCT NO. 954 13 00-36

## STEERING ASSEMBLY





# REPAIR PARTS

TRACTOR - MODEL NO. LT15 (J8F1542E), PRODUCT NO. 954 13 00-36

## STEERING ASSEMBLY

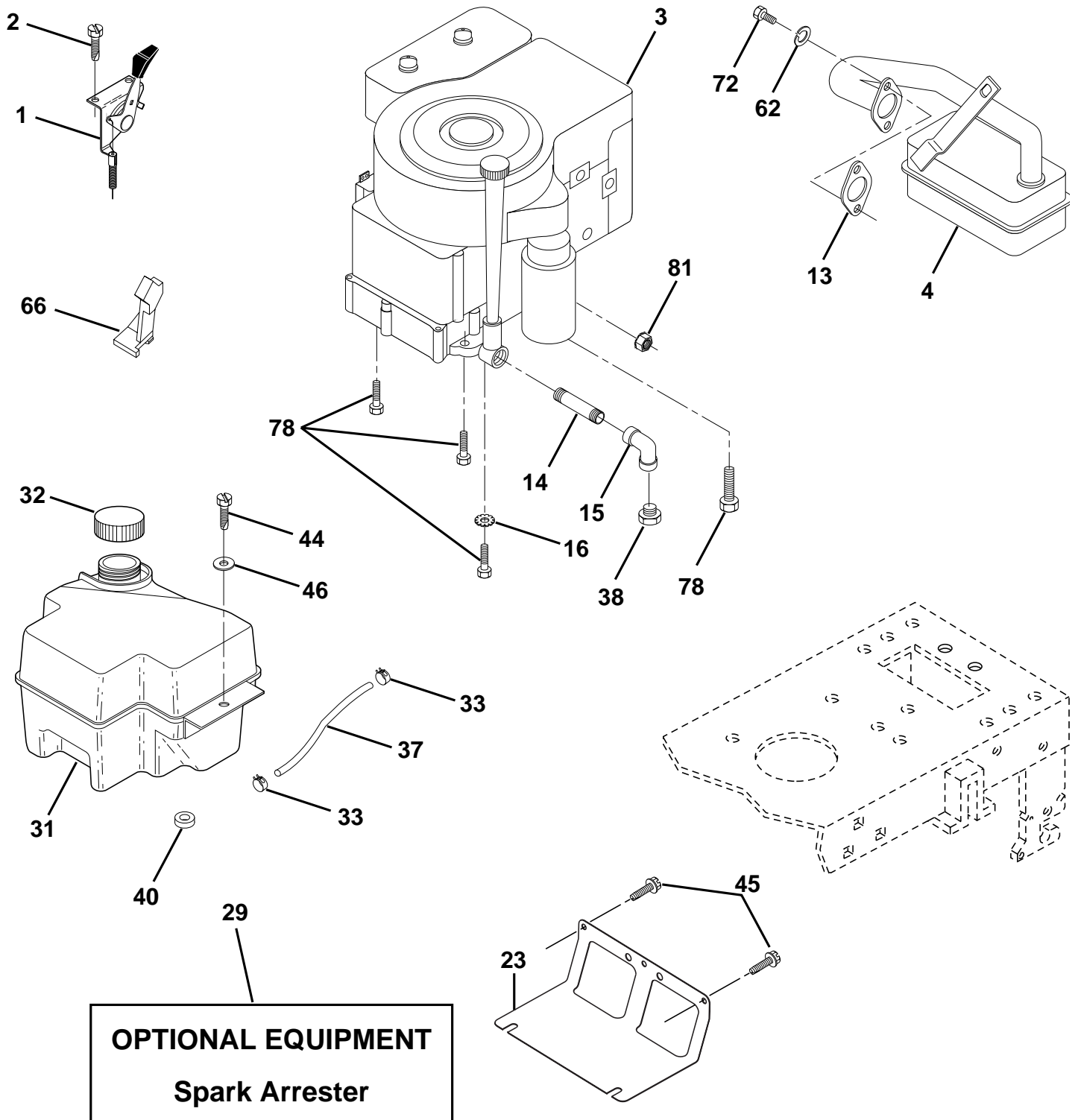
| KEY NO. | PART NO.         | DESCRIPTION                      |
|---------|------------------|----------------------------------|
| 1       | <b>532172092</b> | Wheel Steering                   |
| 2       | 532154427        | Axle Asm STMP Dropped STL        |
| 3       | <b>532169840</b> | Spindle Asm LH                   |
| 4       | <b>532169839</b> | Spindle Asm RH                   |
| 5       | 532124931        | Bearing Race Thrust Harden       |
| 6       | 532121748        | Washer 25/32 X 1-5/8 X 16 Ga     |
| 7       | 819272016        | Washer 27/32 X 1-1/4 X 16 Ga     |
| 8       | 812000029        | Ring Klip #t5304-75              |
| 9       | 532124937        | Bearing Col Strg Blk             |
| 10      | <b>532169832</b> | Link Drag                        |
| 11      | 810040600        | Washer Lock Hvy Hlcl Spr 3/8     |
| 13      | <b>532136518</b> | Spacer Brg Axle Front            |
| 15      | <b>532145212</b> | Nut Hex Flange Lock              |
| 17      | 532156546        | Shaft Asm Strg                   |
| 18      | 532057079        | Washer Thrust 515x 750x 033      |
| 19      | 532160395        | Support Shaft                    |
| 22      | 532165857        | Screw Hex Wsh hd Torx            |
| 23      | 532165851        | Shaft Asm Pittman                |
| 25      | 532154406        | Bracket Steering                 |
| 26      | 532126847        | Bushing Link Drag                |
| 27      | 532136874        | Gear Sector                      |
| 28      | 819131416        | Washer 13/32 X 7/8 X 16ga.       |
| 29      | <b>817060612</b> | Screw 3/8-16x3/4                 |
| 30      | 876020412        | Pin Cotter 1/8 X 3/4 Cad.        |
| 32      | 532130465        | Rod Tie                          |
| 36      | 532155099        | Bushing Strg                     |
| 37      | 532152927        | Screw                            |
| 38      | <b>532172093</b> | Insert Cap Strg Wh               |
| 39      | <b>819132411</b> | Washer 13/32 X 1-1/20 x 11 Ga    |
| 40      | 532124701        | Lock nut                         |
| 41      | <b>532159945</b> | Adaptor Wheel Strg               |
| 42      | <b>532169633</b> | Boot Steering Shaft              |
| 43      | 532121749        | Washer 25/32 X 1 1/4 X 16 Ga     |
| 44      | 532153720        | Extension Steering Shaft LR/LT   |
| 46      | 532121232        | Cap Spindle Fr Top Blk           |
| 47      | 532124836        | Fitting Grease                   |
| 51      | 873800500        | Nut Lock Hex w/Ins 5/16-18       |
| 54      | 874780520        | Bolt Fin Hex 5/16-18 Unc x 1-1/4 |
| 62      | 532167902        | Kit, Steering Assembly Svc       |
| 63      | 874780616        | Bolt Fin Hex 3/8-16unc x 1 Gr. 5 |
| 65      | <b>532160367</b> | Spacer Brace Axle                |
| 66      | 532154404        | Bearing Arm Pittman              |
| 67      | <b>872110618</b> | Bolt Rdhd Sqnk 3/8-16 x 2-1/4    |
| 68      | <b>532169827</b> | Axle, Brace                      |
| 79      | 819132012        | Washer 13/32 x 1-1/4 x 12 Ga     |
| 80      | 874950612        | Bolt Hex Nylon 3/8-16 x 3/4      |
| 82      | <b>532169835</b> | Bracket Susp Chassis Front       |
| 85      | <b>532133835</b> | Fastner Christmas Tree           |

**NOTE:** All component dimensions given in U.S. inches.  
1 inch = 25.4 mm.

# REPAIR PARTS

TRACTOR - MODEL NO. LT15 (J8F1542E), PRODUCT NO. 954 13 00-36

## ENGINE



# REPAIR PARTS

TRACTOR - MODEL NO. LT15 (J8F1542E), PRODUCT NO. 954 13 00-36

## ENGINE

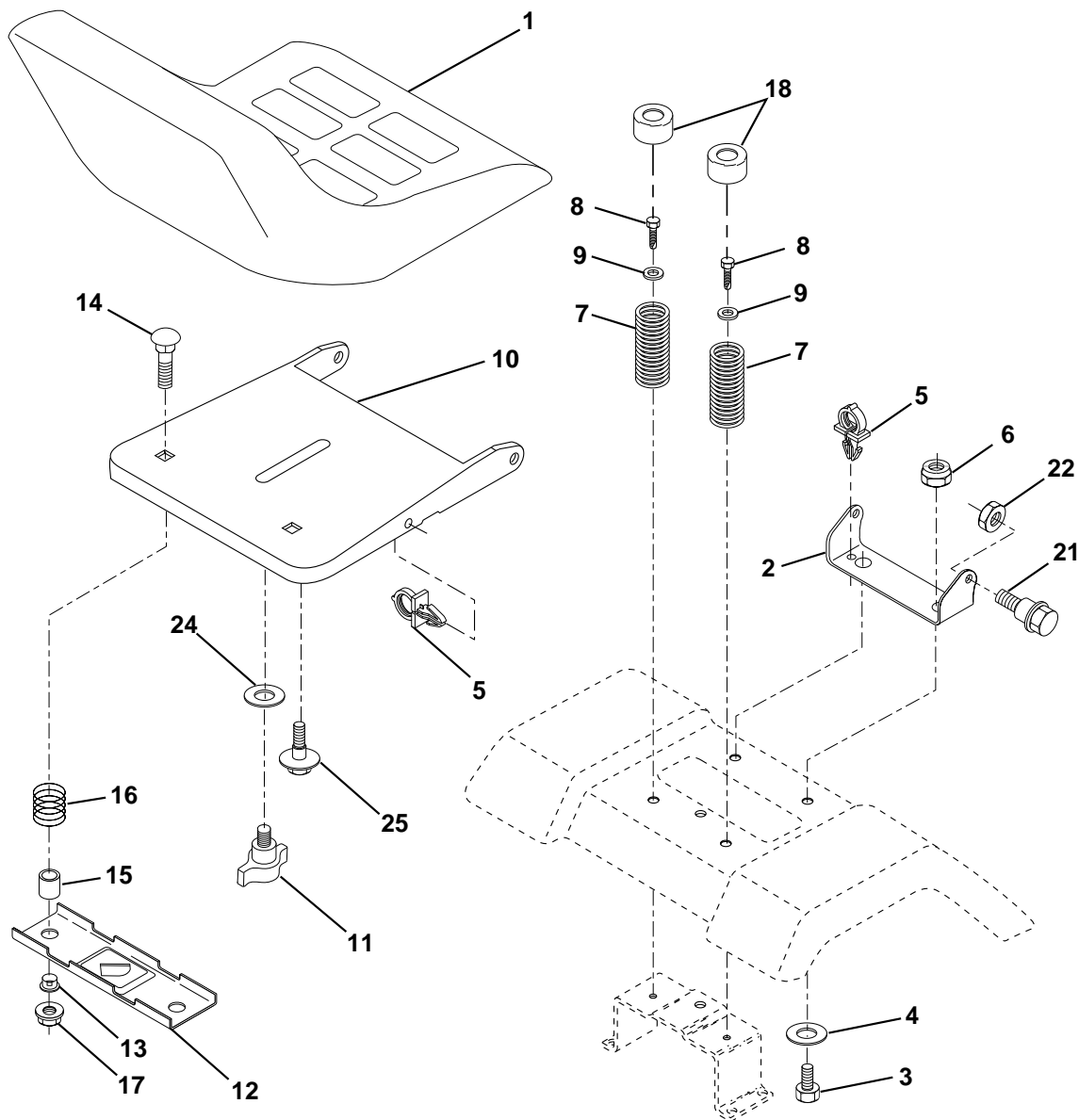
| KEY NO. | PART NO.         | DESCRIPTION  |
|---------|------------------|--|
| 1       | 532141359        | Control Th/ch 20.22 LH Flag  |
| 2       | 817720410        | Screw Hex Thd Cut 1/4-20x5/8 T   |
| 3       | -----            | Engine B&S Model No. <b>287707</b><br>Order parts from engine manufacturer |
| 4       | <b>532137352</b> | Muffler LT B&S   |
| 13      | 532165291        | Gasket   |
| 14      | 813280324        | Nipple Pipe 3/8 Npt X 3"   |
| 15      | 813200300        | Elbow Std 90 Degree 3/8-18 Npt   |
| 16      | 811050600        | Washer Lock Ext Tooth 3/8  |
| 23      | <b>532169837</b> | Shield Brn/Dbr Guard   |
| 29      | 532137180        | Kit Spark Arrestor (Flat Scrn)   |
| 31      | 532161911        | Tank Fuel Front 2 00   |
| 32      | 532140527        | Cap Asm Fuel W/sym Vented  |
| 33      | 532123487        | Clamp Hose Black   |
| 37      | 532137040        | Line Fuel 20"  |
| 38      | -----            | Plug Oil Drain (Order From Engine<br>Manufacturer)                         |
| 40      | 532124028        | Bushing Snap Nyl Blk Fuel Line   |
| 44      | 817490412        | Screw Hexwsh Thdrol 1/4-20x3/4   |
| 45      | <b>817060612</b> | Screw 3/8-16 x 3/4   |
| 46      | 819091416        | Washer 9/32 X 7/8 X 16 Ga  |
| 62      | 810040500        | Washer Lock Hvy Hlcl Spr 5/16  |
| 66      | 532127951        | Stop Throttle 3000 RPM   |
| 72      | 871070512        | Screw Hexhd Cap 5/16-18x 3/4   |
| 78      | <b>817060620</b> | Screw 3/8-16x1-1/4   |
| 81      | 532128861        | Nut Flange 1/4-20 Starter Nut  |

**NOTE:** All component dimensions given in U.S. inches  
1 inch = 25.4 mm

# REPAIR PARTS

TRACTOR - MODEL NO. LT15 (J8F1542E), PRODUCT NO. 954 13 00-36

## SEAT ASSEMBLY



### KEY PART NO. NO.

### DESCRIPTION

### KEY PART NO. NO.

### DESCRIPTION

|    |                  |                                |
|----|------------------|--------------------------------|
| 1  | 532140117        | Seat                           |
| 2  | 532140551        | Bracket Pivot Seat 8 720       |
| 3  | <b>871110616</b> | Bolt Fin Hex 3/8-16unc X 1     |
| 4  | 819131610        | Washer 13/32 X 1 X 10 Ga       |
| 5  | 532145006        | Clip Push-In                   |
| 6  | 873800600        | Nut Hex w/Ins. 3/8-16 Unc      |
| 7  | 532124181        | Spring Seat Cprsn 2 250 Blk Zi |
| 8  | <b>817000616</b> | Screw 3/8-16 X 1-1/2           |
| 9  | 819131614        | Washer 13/32 X 1 X 14 Ga.      |
| 10 | 532155925        | Pan Seat                       |
| 11 | 532166369        | Knob Seat                      |
| 12 | 532121246        | Bracket Mounting Switch        |

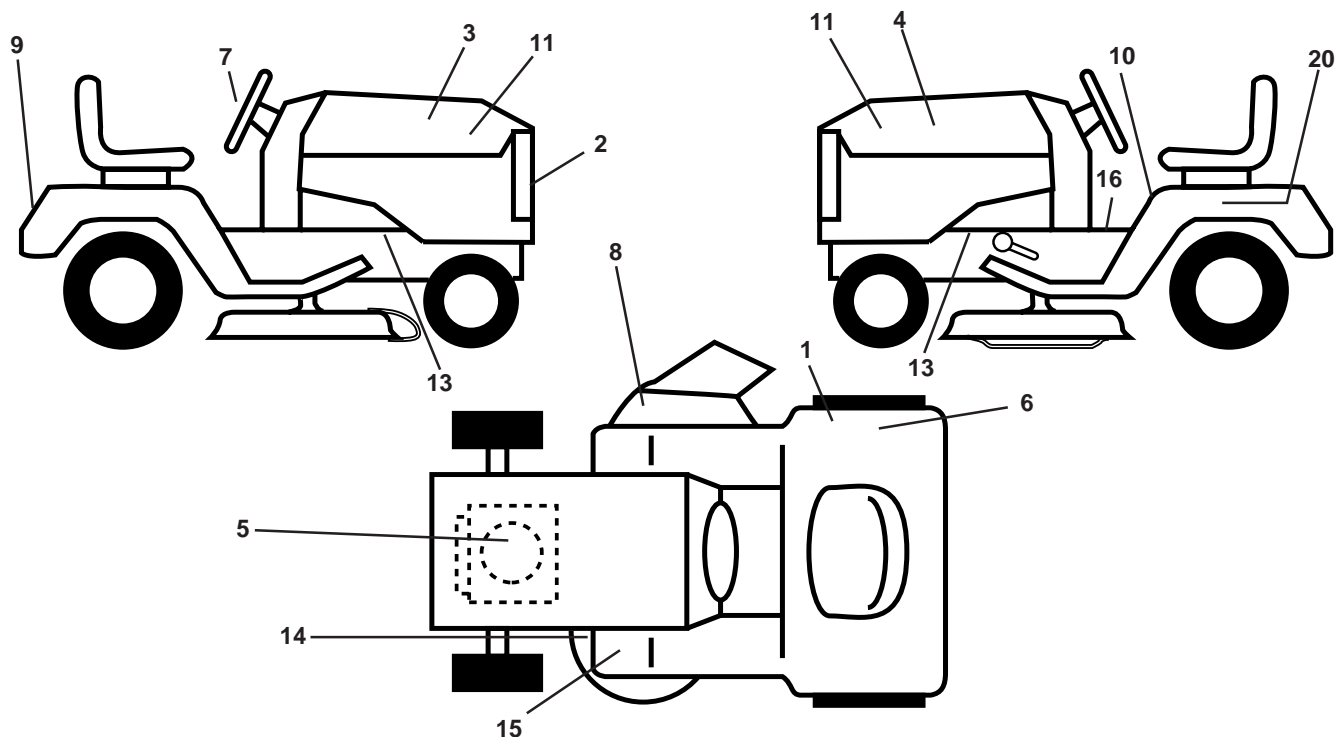
|    |                  |                                |
|----|------------------|--------------------------------|
| 13 | 532121248        | Bushing Snap Blk Nyl 50 Id     |
| 14 | 872050412        | Bolt Rdhd Sqnk 1/4-20x1-1/2    |
| 15 | 532134300        | Spacer Split 28x96 Yel Zinc    |
| 16 | 532121250        | Spring Cprsn 1 327 Blk Pnt     |
| 17 | 532123976        | Nut Lock 1/4 Lge Flg Gr 5 Zinc |
| 18 | <b>532124238</b> | Cap Spring Seat                |
| 21 | <b>532171852</b> | Bolt Shoulder 5/16-18 Unc      |
| 22 | 873800500        | Nut Hex Lock W/Ins 5/16-18     |
| 24 | 819171912        | Washer 17/32 X 1-3/16 X 12 Ga. |
| 25 | 532127018        | Bolt Shoulder 5/16-18 X 62     |

**NOTE:** All component dimensions given in U.S. inches.  
1 inch = 25.4 mm

# REPAIR PARTS

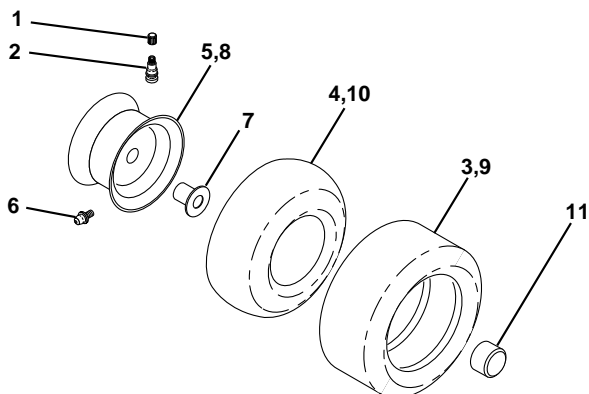
TRACTOR - MODEL NO. LT15 (J8F1542E), PRODUCT NO. 954 13 00-36

## DECALS



| KEY NO. | PART NO.         | DESCRIPTION                     | KEY NO. | PART NO.          | DESCRIPTION                     |
|---------|------------------|---------------------------------|---------|-------------------|---------------------------------|
| 1       | 532126187        | Decal 100 DBA                   | 14      | 532160396         | Decal V-Belt Schematic          |
| 2       | 532152262        | Decal Grille Jonsered Sweden    | 15      | 532159737         | Decal Brake/Clutch Symbol Lt    |
| 3       | <b>532170691</b> | Decal Hood RH                   | 16      | 532140837         | Decal Saddle Brake Parking      |
| 4       | <b>532170692</b> | Decal Hood LH                   | 20      | 532145005         | Decal Bat Dan/Psn               |
| 5       | <b>532170846</b> | Decal HP Engine                 | --      | <b>165800X428</b> | Pad Footrest LH STLT            |
| 6       | 532145437        | Decal Europe Stand CE           | --      | <b>165799X428</b> | Pad Footrest RH STLT            |
| 7       | <b>532170565</b> | Decal, Ins. Strg Whl. Jons.     | --      | 532138311         | Decal Handle Lift Height Adjust |
| 8       | 532145494        | Decal Mower Cutfinger           | --      | 532142341         | Decal Drawbar Cntrl Mvt Hyd Lt  |
| 9       | 532141761        | Decal Fender Jonsered           | --      | 532162598         | Decal Drawbar Load Limit        |
| 10      | 532145498        | Decal Read Owner's Manual Syms. | --      | <b>532172021</b>  | Manual Operator's (Euro.)       |
| 11      | 532162927        | Decal Hood Insert               | --      | <b>532172022</b>  | Manual Operator's (Scan.)       |
| 13      | 532159736        | Decal Chassis Hot Muffler       |         |                   |                                 |

## WHEELS & TIRES



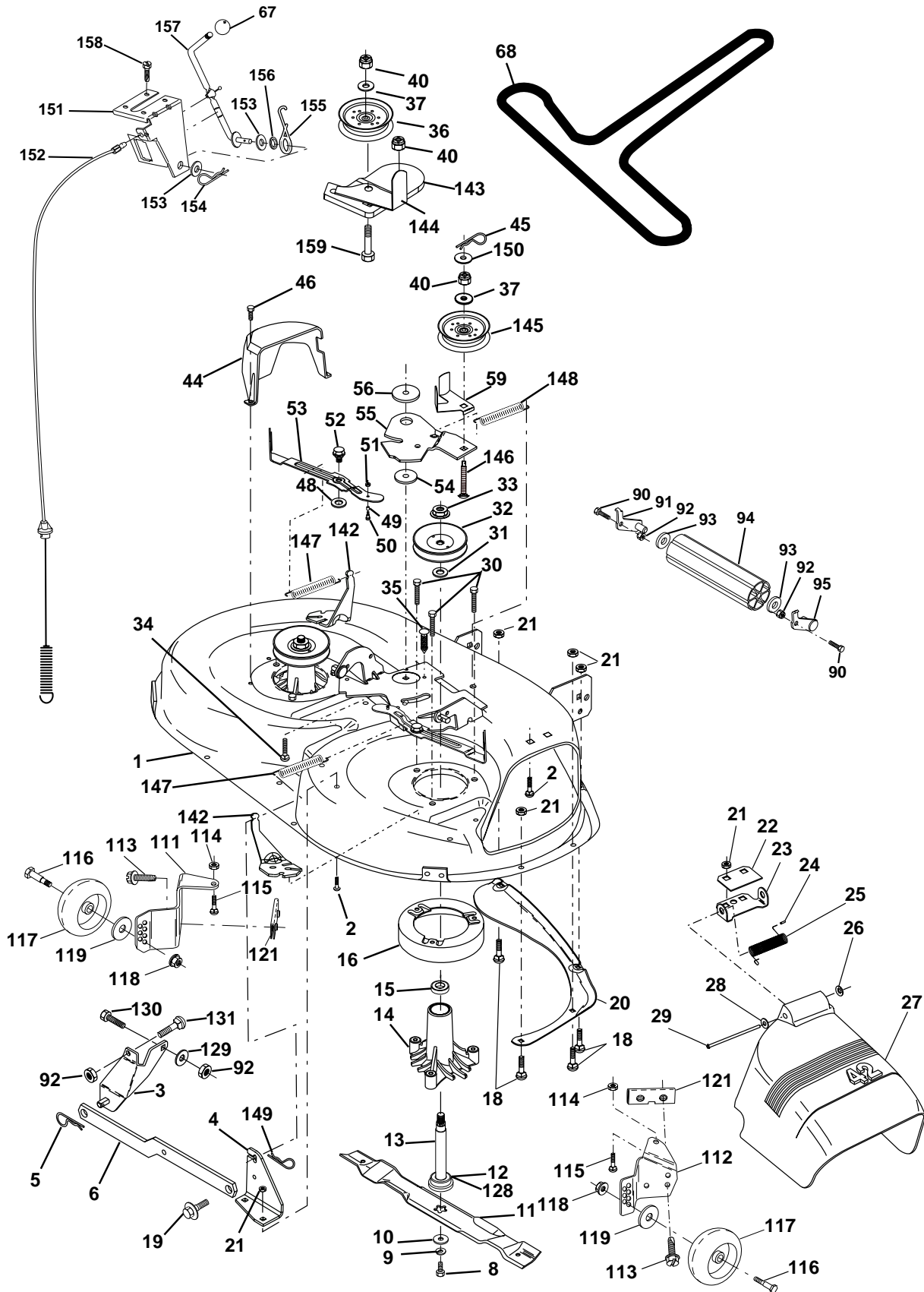
| KEY NO. | PART NO.  | DESCRIPTION                       |
|---------|-----------|-----------------------------------|
| 1       | 532059192 | Cap Valve Tire                    |
| 2       | 532065139 | Stem Valve                        |
| 3       | 532106222 | Tire F Ts 15 X 6 0 - 6 Service    |
| 4       | 532059904 | Tube Front (Service Item Only)    |
| 5       | 532138336 | Rim Asm 6"front Silver Service    |
| 6       | 532124957 | Fitting Grease (Front Wheel Only) |
| 7       | 532124959 | Bearing Flange (Front Wheel Only) |
| 8       | 532138337 | Rim Asm 8"rear Silver Service     |
| 9       | 532122082 | Tire R Ts 20x10-8 C Service       |
| 10      | 532124926 | Tube Rear (Service Item Only)     |
| 11      | 532104757 | Cap Axle Blk 1 50 X 1 00          |
| --      | 532144334 | Sealant, Tire ( 10 oz. Tube)      |

**NOTE:** All component dimensions given in U.S. inches  
1 inch = 25.4 mm

# REPAIR PARTS

TRACTOR - MODEL NO. LT15 (J8F1542E), PRODUCT NO. 954 13 00-36

## MOWER DECK



# REPAIR PARTS

TRACTOR - MODEL NO. LT15 (J8F1542E), PRODUCT NO. 954 13 00-36

## MOWER DECK

| KEY NO. | PART NO.         | DESCRIPTION                       | KEY NO. | PART NO.         | DESCRIPTION  |
|---------|------------------|-----------------------------------|---------|------------------|--|
| 1       | <b>532165892</b> | Housing Asm Mower                 | 67      | <b>532106932</b> | Knob Rd 3/8-16 Plstc Thds Blk  |
| 2       | 872140506        | Bolt Rdhd Sqnk 5/16-18unc X3/4    | 68      | <b>531008027</b> | V-Belt Mower   |
| 3       | 532138017        | Bracket Asm Fr Sway Bar 38/42     | 90      | 874760616        | Bolt Fin Hex 3/8-16unc X 1   |
| 4       | <b>532165460</b> | Bracket Asm Deck 42"sway Bar      | 91      | 532132274        | Bracket Asm Noseroller LH  |
| 5       | 532124670        | Retainer Spring                   | 92      | 873800600        | Nut Lock Hex w/ins. 3/8-16 UNC   |
| 6       | 532130832        | Arm Suspension Rear               | 93      | 819171416        | Washer 17/32 X 7/8 X 16 Ga   |
| 8       | 532850857        | Bolt 3/8-24x1 25 Gr8 Patched      | 94      | 532132264        | Roller Nose 38 & 42  |
| 9       | 810030600        | Washer Lock Hvy 3/8 Unplated      | 95      | 532132273        | Bracket Asm Noseroller RH  |
| 10      | 532140296        | Washer Hard Blade Mower Vented    | 111     | 532155197        | Bracket Gauge Wheel Lh   |
| 11      | 531013134        | Blade Mower High Lift"            | 112     | 532155198        | Bracket Gauge Wheel Rh   |
| 12      | 532129895        | Bearing Ball #6204 (Mandrel)      | 113     | <b>817060512</b> | Screw 5/16-18 x 3/4  |
| 13      | 532137645        | Shaft Asm W/lower Bearing         | 114     | 873510500        | Nut Keps 5/16-18 UNC   |
| 14      | 532128774        | Housing Mandrel Vented(machd)     | 115     | 872110504        | Bolt Carriage 5/16-18unc x 1/2   |
| 15      | 532110485        | Bearing Ball Mandrel              | 116     | <b>532124842</b> | Bolt Shoulder  |
| 16      | 532140329        | Stripper Round Mower              | 117     | <b>532165746</b> | Wheel Gauge  |
| 18      | 872140505        | Bolt Carr 5/16-18 X 5/8           | 118     | 873930600        | Nut Centerlock 3/8-16 UNC  |
| 19      | 532132827        | Bolt Shoulder                     | 119     | 819121414        | Washer 3/8 x 7/8 x 14 Ga.  |
| 20      | 532159770        | Baffle Vortex                     | 121     | 532143723        | Bracket Extruded Gauge Wheel   |
| 21      | 873680500        | Nut Crown Lock 5/16-18            | 128     | 532153390        | Washer Felt  |
| 22      | 532134753        | Stiffener Bracket 42"deck         | 129     | 819131312        | Washer 13/32 x 13/16 x 12 Ga.  |
| 23      | 532131267        | Bracket Deflector Mower 42"       | 130     | 874780616        | Bolt Fin Hex 3/8-16 UNC x 1 Gr. 5  |
| 24      | 532105304        | Cap Sleeve 80x 112 Blk Mower      | 131     | 872140608        | Bolt Rdhd Sqnk 3/8-16 x 1  |
| 25      | 532123713        | Spring Torsion Deflector 2 52     | 142     | <b>532165890</b> | Arm Spring Brake Mower   |
| 26      | 532110452        | Nut Push Phos & Oil               | 143     | <b>532157109</b> | Bracket Arm Idler 42"  |
| 27      | <b>532171859</b> | Shield Deflector                  | 144     | <b>532158634</b> | Keeper Belt 42" Clutch Cable   |
| 28      | 819111016        | Washer 11/32 X 5/8 X 16 Ga        | 145     | <b>532165888</b> | Pulley Idler Flat  |
| 29      | 532131491        | Rod Hinge 42"6 75 Wlg             | 146     | <b>532165891</b> | Bolt Carriage Idler  |
| 30      | 532157722        | Screw Thdrol Washer Head          | 147     | <b>532131335</b> | Spring Extension   |
| 31      | 532129963        | Washer Spacer Mower Vented        | 148     | <b>532169022</b> | Spring Return Idler  |
| 32      | 532153535        | Pulley Mandrel                    | 149     | <b>532169898</b> | Retainer Spring Yellow   |
| 33      | 532137266        | Nut 9/16top Lock Fling Cntr       | 150     | <b>819091216</b> | Washer 9/32 x 3/4 x 16 Ga.   |
| 34      | 872110614        | Bolt RDHD 3/8-16 UNC x 2-3/4 Gr.5 | 151     | <b>532169670</b> | Bracket Clutch Cable   |
| 35      | 532133835        | Fastner Christmas Tree            | 152     | <b>532169676</b> | Clutch Cable 42"   |
| 36      | 532131494        | Pulley Idler Flat 3 060           | 153     | <b>532169674</b> | Washer Flat 3/8" Type B  |
| 37      | 819131316        | Washer 13/32 X 13/16 X 16 Ga      | 154     | <b>532169675</b> | Spring Retainer  |
| 40      | 873680600        | Nut Lock 3/8-16 Unc               | 155     | <b>532169671</b> | Spring Retention Lvr Cltch Cab   |
| 44      | 532140088        | Guard Mandrel LH Black            | 156     | <b>532169672</b> | Spacer Clutch Cable  |
| 45      | 532124788        | Spring Retainer 1" Zinc/cad       | 157     | <b>532169669</b> | Rod Clutch Cable 3/8"  |
| 46      | 532137729        | Screw Thdrol 1/4-20x5/8           | 158     | <b>817720410</b> | Screw Hex Thd Cut 1/4-20 x 5/8   |
| 48      | 532133944        | Washer Hardened Samllr            | 159     | <b>872140614</b> | Bolt Rdhd Sqn 3/8-16 Unc x 1-3/4   |
| 49      | 532155066        | Roller Asm Cam Follower 42" dec   | --      | <b>532171491</b> | Deck Serv 42" Vent (Standard Deck<br>- Order Nose Roller and Gauge<br>Wheel components separately Key<br>Nos. 90-95 and 111-121) |
| 50      | 532131340        | Bolt Shldr 10-24 Zinc Gr 5 42"    |         |                  |  |
| 51      | 532069180        | Nut Lock #10-24 Unc               |         |                  |  |
| 52      | 532139888        | Bolt Shoulder 5/16-18 Unc Blkz    | --      | 532130794        | Mandrel Assembly (Includes Key<br>Numbers 8-10, 12-15, 31 and 33)  |
| 53      | 532131845        | Arm Asm Pad Brake                 |         |                  |  |
| 54      | 532133943        | Washer Hardened                   |         |                  |  |
| 55      | 532155046        | Arm Idler 42"mower LT/YT          |         |                  |  |
| 56      | <b>532165723</b> | Spacer Retainer Mower             |         |                  |  |
| 59      | 532141043        | Guard, Bel                        |         |                  |  |

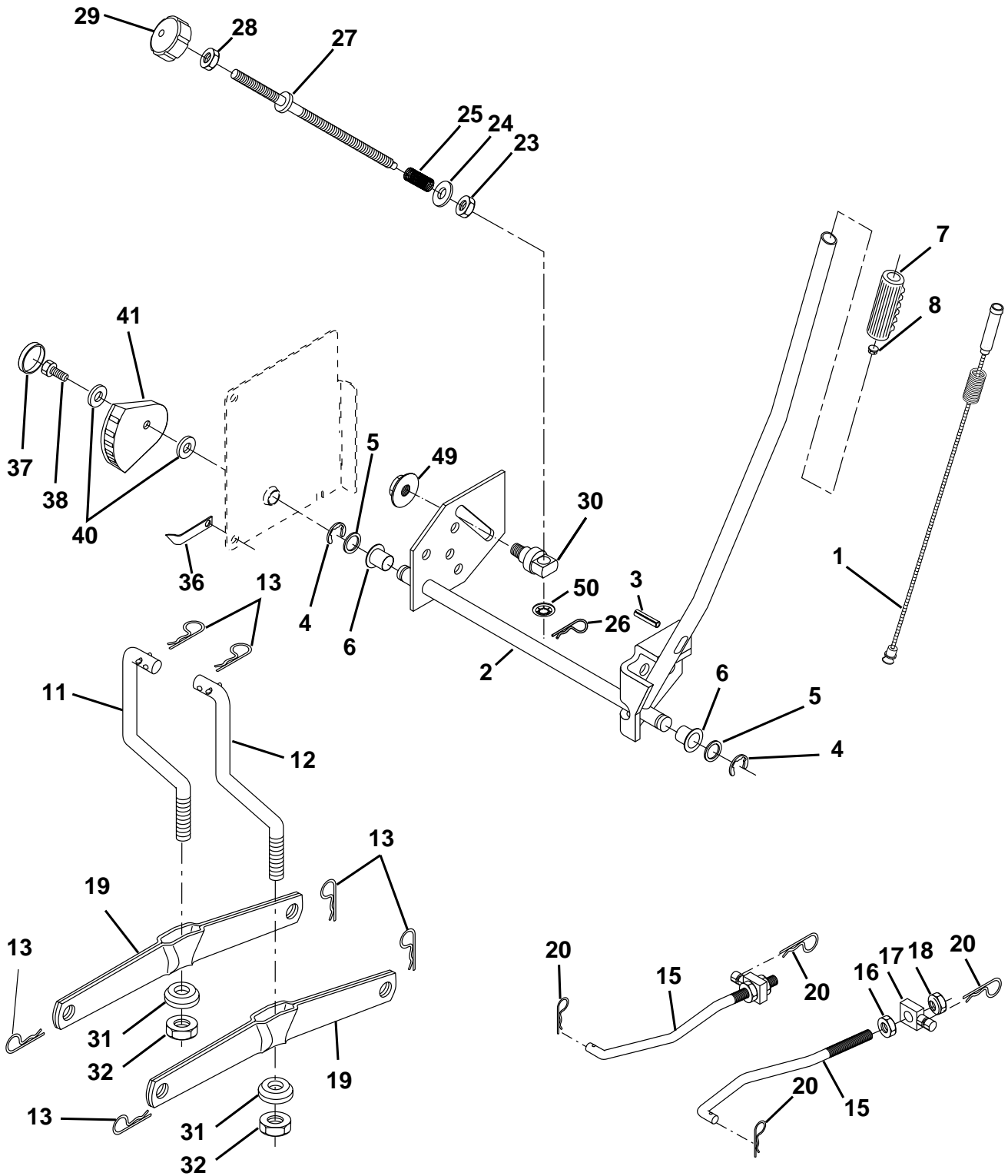
**NOTE:** All component dimensions given in U.S. inches  
1 inch = 25.4 mm



# REPAIR PARTS

TRACTOR - MODEL NO. LT15 (J8F1542E), PRODUCT NO. 954 13 00-36

## MOWER LIFT





# REPAIR PARTS

TRACTOR - MODEL NO. LT15 (J8F1542E), PRODUCT NO. 954 13 00-36

## MOWER LIFT

| KEY NO. | PART NO.         | DESCRIPTION                    |
|---------|------------------|--------------------------------|
| 1       | 532159460        | Wire Asm Inner W/plunger       |
| 2       | 532159471        | Shaft Asm Lift RH              |
| 3       | 532105767        | Pin Groove 1 500 Zinc          |
| 4       | 812000002        | E Ring #5133-62                |
| 5       | 819211621        | Washer 21/32 X 1 X 21 Ga       |
| 6       | 532120183        | Bearing Nylon Blk 629 Id       |
| 7       | 532125631        | Grip Handle Flute Blk.         |
| 8       | <b>532122365</b> | Button Plunger                 |
| 11      | 532139865        | Link Lift LH Fixed Length      |
| 12      | 532139866        | Link Lift RH Fixed Length      |
| 13      | 532124670        | Retainer Spring                |
| 15      | <b>532167253</b> | Link Front                     |
| 16      | 873350800        | Nut Jam Hex 1/2-13 Unc         |
| 17      | 532130171        | Trunnion Blk Zinc              |
| 18      | <b>873800800</b> | Nut Lock w/wsh 1/2-13 Unc      |
| 19      | 532139868        | Arm Suspension Rear            |
| 20      | 532163552        | Retainer Spring                |
| 23      | 532110807        | Nut Special                    |
| 24      | 819131016        | Washer 13/32 X 5/8 X 16 Ga     |
| 25      | 532124874        | Spring 2-1/8"                  |
| 26      | <b>532169484</b> | Retainer Clip                  |
| 27      | 532126971        | Rod Adj Lift Zinc 7.49 Wrk Lg  |
| 28      | 873350600        | Nut Hex Jam 3/8-16 Unc         |
| 29      | 532138057        | Knob Inf 3/8-16 Unc Blk W/sym  |
| 30      | 532150233        | Trunnion Dp Stop Dbl Thds PLT  |
| 31      | 532140302        | Bearing Pvt Lift Spherical     |
| 32      | 873540600        | Nut Crownlock 3/8-24           |
| 36      | 532155097        | Pointer Pnt Height ind .505    |
| 37      | 532123935        | Plug Hole Blk 1.485/1.515 Dia. |
| 38      | <b>817060516</b> | Screw 5/16-18 x 1              |
| 40      | 819112410        | Washer 11/32 x 1-1/2 10 Ga.    |
| 41      | 532155098        | Scale Ind. Height Blk.         |
| 49      | 532145212        | Nut Hex Flange Lock            |
| 50      | 532110452        | Nut Push Phos & Oil            |

**NOTE:** All component dimensions given in U.S. inches  
1 inch = 25.4 mm